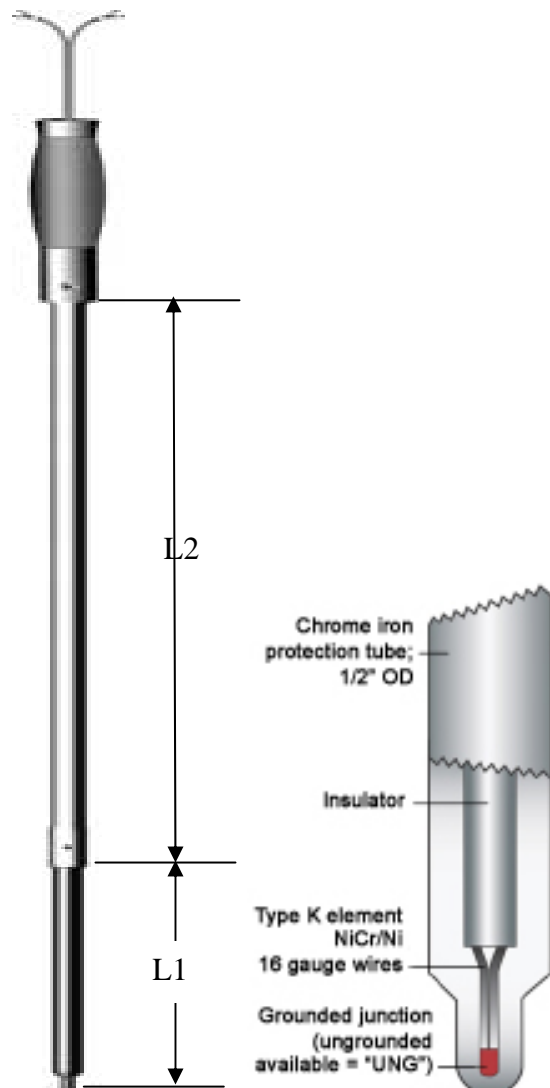


## MARTC series

**Thermocouple probe for dip measurements and continuous temperature sensing**

- **Protective sheath:**  
stainless steel, SS446 with ceramic coated  
ø 12,7 mm
- **Probe type K:**  
thermocouple Type K class 1 conforming to  
norm DIN IEC 584.
- **Operating temperature range:**  
up to 1350°C.  
850° C for continuous temperature sensing
- **Application:**
  - Extremely low costs per reading
  - Can be used up to 1350° C
  - Quick response time
  - Several hundred measurements in,
  - Excellent durability in bronze, brass and copper (-alloys)
  - Excellent resistance to chemical corrosion of molten aluminum and copper (alloys)
  - For primary aluminum and copper, in troughs, (crucible-) furnaces, filter-boxes and many more.



### How to Order ?

Style	Style	Master L1 mm	Slave L2 mm	Connection	Cable In m
MARTC-	- straight - 45° - 90°	- 305 - 504	- 300 - 1000	- Aritlon grip - process - Flange - BZ Head - TC Cable	- ST - GGS

**Order Example:** MARTC - 45° - 305 - 300 - Aritlon grip - ST2m