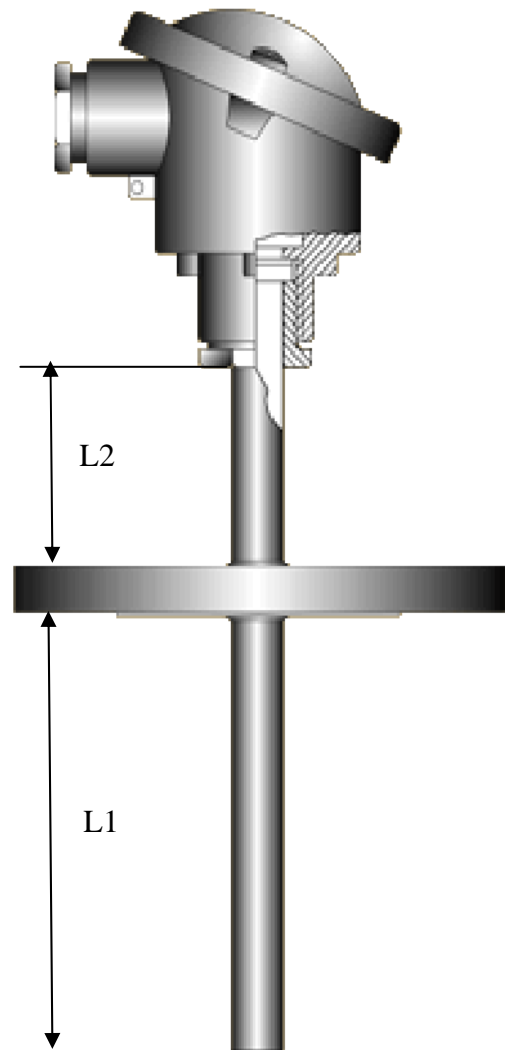


IFTC series

Push-in Thermocouple With Flange connection

Bare thermowells made of various materials the selection of a suitable thermowell material depends on the application conditions

- **Probe type:**
J, K, N, L, R, S, B DIN IEC 584 Class 2, single or dual
- **Probe material:**
Mineral insulated (MgO) cable
- **Operating Temperature range-**
- 200 to +1600°C.
- **Connection head:**
Form A DIN 43 729, die-cast aluminium
- **Option:**
counter flange 22 / 33 / 45 mm Transmitter
4 -20 mA loop powered
- **Application:**
800°C -920°C Food & chemical
1100°C Oxidizing atmospheres
750°C Reducing atmospheres
1150°C Gas furnaces & lead baths
875°C Sulphurous atmospheres



How to Order ?

Style	Sheath material	Calibration	Sheath Ø mm	L1 in mm	L2 in mm	Connection
IFTC-	-SS304 (800°C)	- J (800°C)	- 6.0	10	10	- process - Flange ANSI - Head B, A - Transmitter
	-SS316L (920°C)	- K (1250°C)	- 8.0	.	.	
	-SS310 (1100°C)	- N	- 12	.	.	
	-SS446 (1100°C)	- L	- 22	.	.	
	-inconel600 (1150°C)	- N (1250°C)	- 28	1000	1000	
	-BetaTube (1550°C)	- S (1550°C)	- 33			
		- R (1650°C)	- 45			

Order Example: **IFTC** - **Inc600** - **K** - **6.0** - **500** - **150** - **Connector**