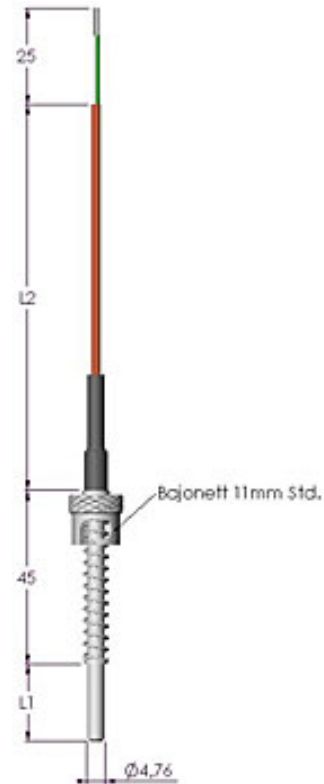


## BAYTC- series

### Straight spring-loaded Bayonet thermocouple

Thermocouple with Bayonet probe.  
The thermocouple wire runs entire length  
from probe to connection. Normally,  
The point of measuring is connected to  
electrical ground.  
Also available with dual thermocouple.

- **Probe type:**  
J, K, E, T DIN IEC 584 Class 1,
- **Operating Temperature range:**  
- 200 to 900 °C
- **Connection:**  
1.5 meter lead wire
- **Option:**  
Single or Dual.  
Special Designs and Material.
- **Applications:**  
Foods & Chemicals.  
Air Conditioning.  
Plastic Industry.  
Paper Industry.



### How to Order ?

Style	Style	Design	Calibration	Sheath	Ø mm	L1 mm	Option
BAYTC-	-Fixed	-Straight	- J	-SS304	- 3	-50	- Connector
	-Adjust	- 45°	- K	-Inconel 600	- 4,5	.	
		- 90°	- E		- 6	.	
			- T		- 8	-200	

**Order Example:** **BAYTC** – **Fixed** – **45°** – **K** – **SS304** – **3** – **30** – **Connector**