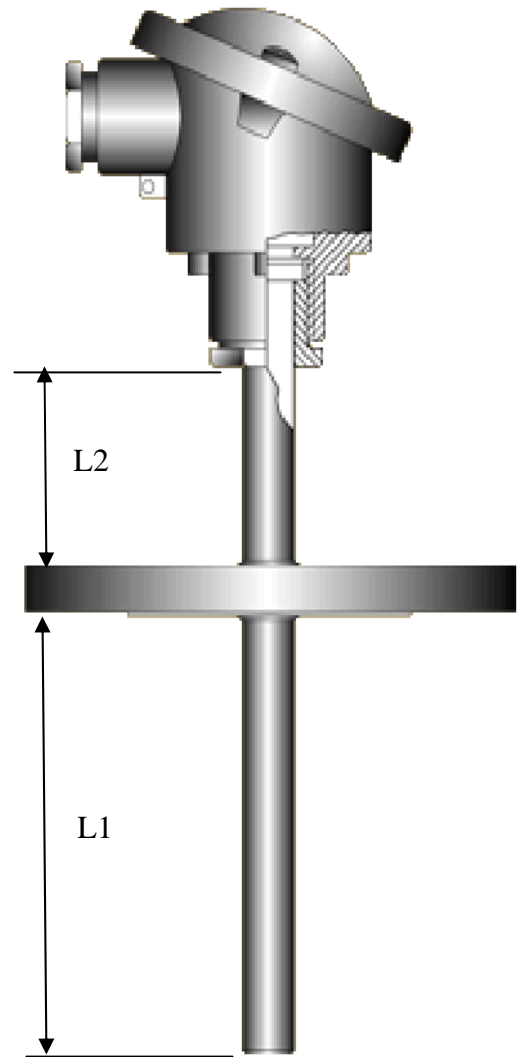


IFR Series

RTD probe Push-in Resistance –
thermometer with intermediary tube
and measurement – insert

- **Probe type:**
Ceramic element DIN IEC 751,
class A, B, 1/3 DIN or 1/10 DIN
single or dual element
2, 3 or 4 wires technique.
- **Probe material:**
Mineral insulated (MgO) cable
- **Operating Temperature range-**
- 200 to +1600°C.
- **Connection head:**
Form A DIN 43 729, cast aluminium
- **Option:**
counter flange 22 / 33 / 45 mm
Transmitter 4 -20 mA loop powered
- **Application:**
Food & chemical
Gas furnaces
Lead baths



How to Order ?

Style	Sheath material	Calibration	class	Sheath Ø mm	L1 mm	L2 mm	Extras
IFR	- SS304 (650°C)	- Pt50	- A	- 1.5	-10	-10	- Thread G ½" ¾" 1"
-	- SS316L (850°C)	- Pt100	- B	- 2.0	.	.	- Connector
	- SS446 (850°C)	- Pt1000	- 1/3	- 3.0	.	.	- Transition with cable
		-NTC-kΩ	-	- 4.5	- 2000	1000	- Head BZ
			1/10	- 6.0			
				- 8.0			
				- 12.0			

Order Example: IFR – 316L – Pt100 – B – 6.0 – 500 – 100 – connector